



## Programmable 6.0GHz RFoF GPS units

## 1U Enclosure for RFoF

## Outdoor Enclosure for RFoF

### Key features:

- Next generation RFoF modules with significant performances improvement.
- Supports up to 6.0GHz.
- Better linearity, excellent gain flatness, and TX, Rx and Link gain control.
- Noise Figure down to 6 dB with LNA with MDS ~168 dB/Hz for very low incoming signals.
- Internal microcontroller allows RF and Optical control, enabled by software.
- End-to-end diagnostics reduces installation and maintenance time, enabled by software.
- Gain variation S21 (f<sub>o</sub>) of ±1 dB for 90° C variation, utilizing special algorithm.
- Remote Management by GUI installed on PC.
- Impedances of 50 Ohms and 75 Ohm.

### Configurations:

- Outdoor enclosure (unidirectional/bi-directional)
- 1U Generic enclosure (4 units)
- (1,2,3)U Removable panel enclosure (4/8/12 units)

### Applications:

- Remote Antennas Communication
- Satcom
- 4G LTE
- Broadcast
- Distributed Antenna
- Radio Telescopes

RFOptic presents its new innovative controllable RFoF product line.

RFOptic's palm size analog RFoF modules are used to convert RF signals to optical signals to carry over long distances. The Tx unit using an optical transmitter, converts RF to Optical signal and the Rx unit converts back to RF signal. The two units are connected through customer's single mode fiber.

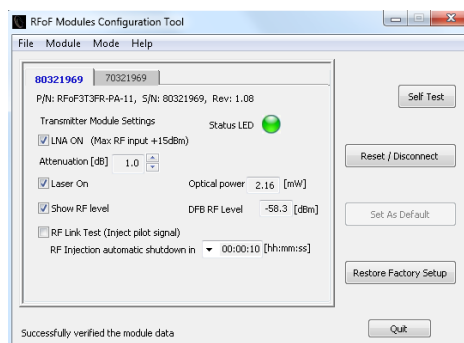
RFOptic's RF over Fiber modules (RFoF) are suitable for telecommunications, satellite, radio telescopes, distribution antennas, broadcasting audio and video, timing synchronization and GPS applications. For example, point-to-point antennas can be connected from several meters to many kilometers away from the control room by fiber cables; Base stations can be connected through fiber to remote sector antennas; Satellite antennas can be connected through fiber cable to remote sites by RF over Fiber solutions.

Both the Tx and Rx units includes LNAs and variable attenuators that enable customer to adjust the Noise Figure, Input P1dB, and IP3 with wide dynamic range values. The LNA can be operated through the RFoF Software allowing RF input power in the range of -100 dBm/1MHz for wideband applications, with low Noise Figure of 6 dB. The RFoF link has excellent gain flatness with 0.5dB gain tracking between different links. For special applications requiring temperature stability operation, a unique algorithm supporting 0.5 dB over 100°C has been developed. The DC power of the RFoF modules is flexible from 5 to 12 Volts.

A user-friendly RFoF software enables adjustment of the RF and Optical parameters, such as link gain, Noise Figure, P1dB, Optical power, LED indication and module information, either locally or remotely.

Furthermore, the RFoF link has full diagnostic capability including Tx, Rx and complete link test (Optical and RF). These features save cost of test equipment and provide real time diagnostic of any deployed link.

The [link gain calculator](#) helps to calculate the link gain and the optical predicted parameters for RFOptic's programmable RFoF family.



Screen (example) – RFoF Tx Screen

## Programmable 6.0GHz RFoF typical specifications

| Electrical  | Unit                 | Specification LNA "OFF" | Specification LNA "ON" |
|---|----------------------|-------------------------|------------------------|
| Frequency Range   | MHz                  | 0.5-6000                | 0.5-6000               |
| Adjustable Link Gain (nominal value) <sup>[1]</sup>       | dB                   | 7                       | 37                     |
| Attenuator 31 dB (Tx, Rx) <sup>[2]</sup>                  | dB                   | 0.5                     | 0.5                    |
| Gain Flatness   | dB                   | ±2.5                    | ±2.5                   |
| Input P1 dB <sup>[3]</sup>                                | dBm                  | 0                       | -30                    |
| Noise Figure <sup>[3]</sup>                               | dB                   | 27                      | 6.5                    |
| SFDR <sup>[3]</sup>                                       | dB/Hz <sup>2/3</sup> | 105                     | 99                     |
| Gain Flatness any 36 MHz                                  | dB                   | ±0.25                   | ±0.25                  |
| Uncorrected gain variation over temperature               | dB                   | ±3.5                    | ±3.5                   |
| Corrected gain variation over temperature <sup>[4]</sup>  | dB                   | ±1                      | ±1                     |
| Corrected gain tracking between RFoF links <sup>[5]</sup> | dB                   | ±0.5                    | ±0.5                   |
| Maximum Input No damage                                   | dBm                  | 20                      | 20                     |
| Spurious  | dBm                  | -100                    | -100                   |
| VSWR Input / Output                                       | dB                   | 1.7:1                   | 1.7:1                  |
| Input / Output Impedance <sup>[6]</sup>                   | Ohm                  | 50                      | 50                     |
| <b>Optical and Electrical</b>                             |                      |                         |                        |
| Current consumption of Tx unit (at 5VDC)                  | mA                   | 260                     | 385                    |
| Current consumption of Rx unit (at 5VDC)                  | mA                   | 225                     | 225                    |
| Laser diode wavelength                                    | um                   | 1.31 or 1.55            | 1.31 or 1.55           |
| Optical Power in the fiber                                | mw                   | 2.3 ±0.5                | 2.3 ±0.5               |
| LED status indicators (Tx/Rx)                             | -                    | RGB                     | RGB                    |

| Mechanical and Environmental Parameters |    |           |            |
|---|----|-----------|------------|
| Operating temperature                   | °C | -20 to 70 | -20 to 70  |
| Storage temperature                     | °C | -40 to 85 | -40 to 85  |
| EMC and Safety <sup>[7]</sup>           | -  | CE & FCC  | CE and FCC |

| Parameter                   | RFoF 6.0 GHz      | RFoF 6.0 GHz 1U      | RFoF 6.0 GHz Outdoor |
|-----------------------------|-------------------|----------------------|----------------------|
| Dimensions (mm)             | 70(W)*70(L)*22(H) | 445(W)* 476(L)*44(H) | 280(W)*220(L)*85(H)  |
| RF Input / Output connector | SMA               | SMA                  | N Type               |
| Optical Connector           | FC/APC or SC/APC  | FC/APC or SC/APC     | MPO or QPC           |
| Power Connector             | PIN 3.5*1.3*9 mm  | HP Socket            | Circular male 5 pins |
| Power                       | 5-12 VDC          | 110/220 VAC          | 5-12 VDC             |
| Data Connector              | Micro USB2        | USB2/RJ-45           | Circular male 7 pins |

[1] LNA 'ON' or 'OFF' is selected by RFOptic manufacturing, or by using the RFoF user software.

[2] 'No Attenuation' is the default for Tx and Rx units. Attenuation values can be selected by the user software.

[3] Noise Figure, Input P1 dB, Input IP3 and SFDR measured at 1.5GHz, can be selected by 'LNA Off/ON' and Tx Attenuator.

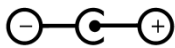
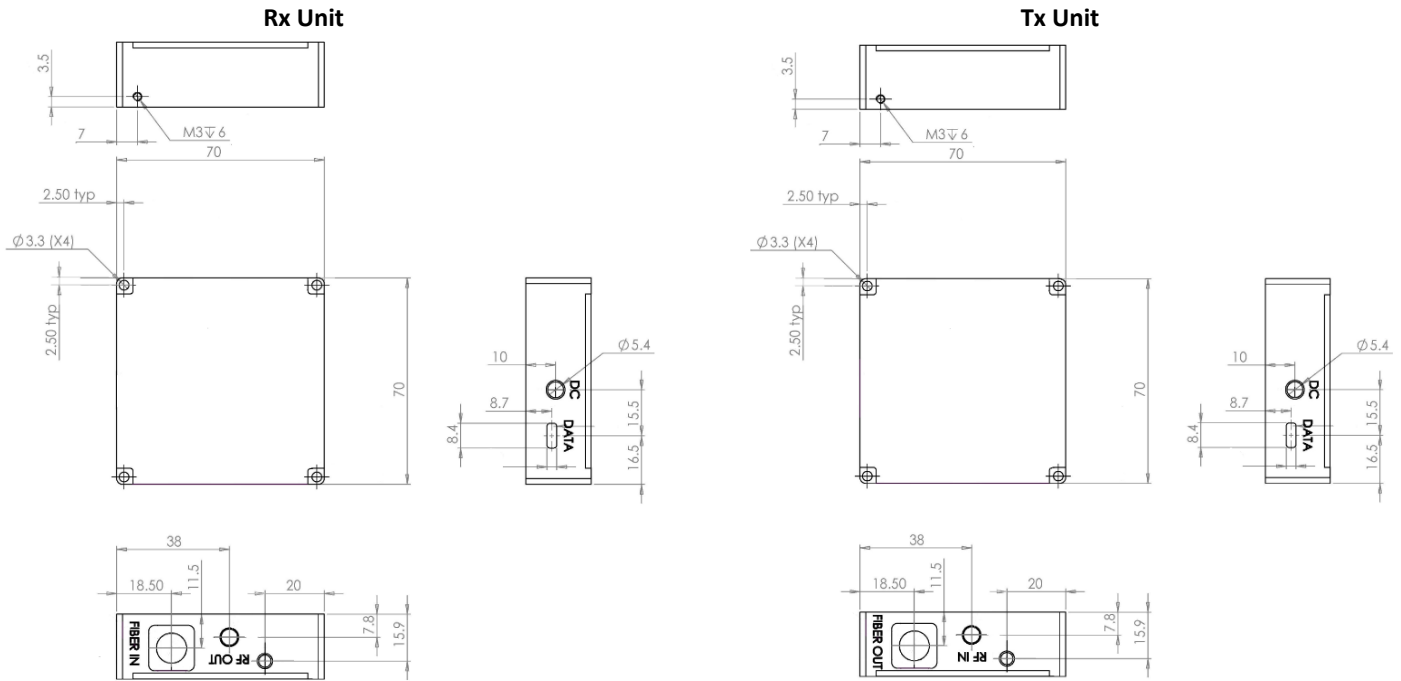
[4] Using internal temperature compensation algorithm selected by the user software.

[5] Using the Tx and/or Rx Attenuators.

[6] 75 Ohm is optional with similar VSWR, by using SMA/BNC adaptor.

[7] Safety EN60950-1:2006(2nd); EMC: ETSI EN 300 386 v1.6.1 (2012-04) and FCC CFR-47 part 15 Sub part B.

## Mechanical Outline Drawing: Programmable 6.0GHz RFoF Tx & Rx units



Connector: Positive center plug OD: 3.5mm, ID: 1.3mm, L: 9mm

| Ordering Information          |   |                 |                 |
|-------------------------------|---|-----------------|-----------------|
| Part Number                   | Product Description                           | Tx              | Rx              |
| <b>RFoF-6.0GHz-1310-Prog.</b> | 6.0GHz Transceiver 1310, FC/APC, Programmable | RFoF6T3FR-PA-11 | RFoF6R3FR-PA-11 |
| <b>RFoF-6.0GHz-1550-Prog.</b> | 6.0GHz Transceiver 1550, FC/APC, Programmable | RFoF6T5FR-PA-11 | RFoF6R3FR-PA-11 |
| <b>RFoF-AC-DC-Prog.</b>       | 2*220/110 AC/5VDC adapter for Programmable*   | -               | -               |
| <b>RFoF-AC-DC-Prog-1</b>      | 1*220/110 AC/5VDC adapter for Programmable    | -               | -               |

\* Since each RFoF module requires one AC/DC adapter, 2 adapters will be needed for a link

\*\* For outdoor or rack mount options, please contact RFOptic at [info@rfoptic.com](mailto:info@rfoptic.com)