

## 1 Table of Contents

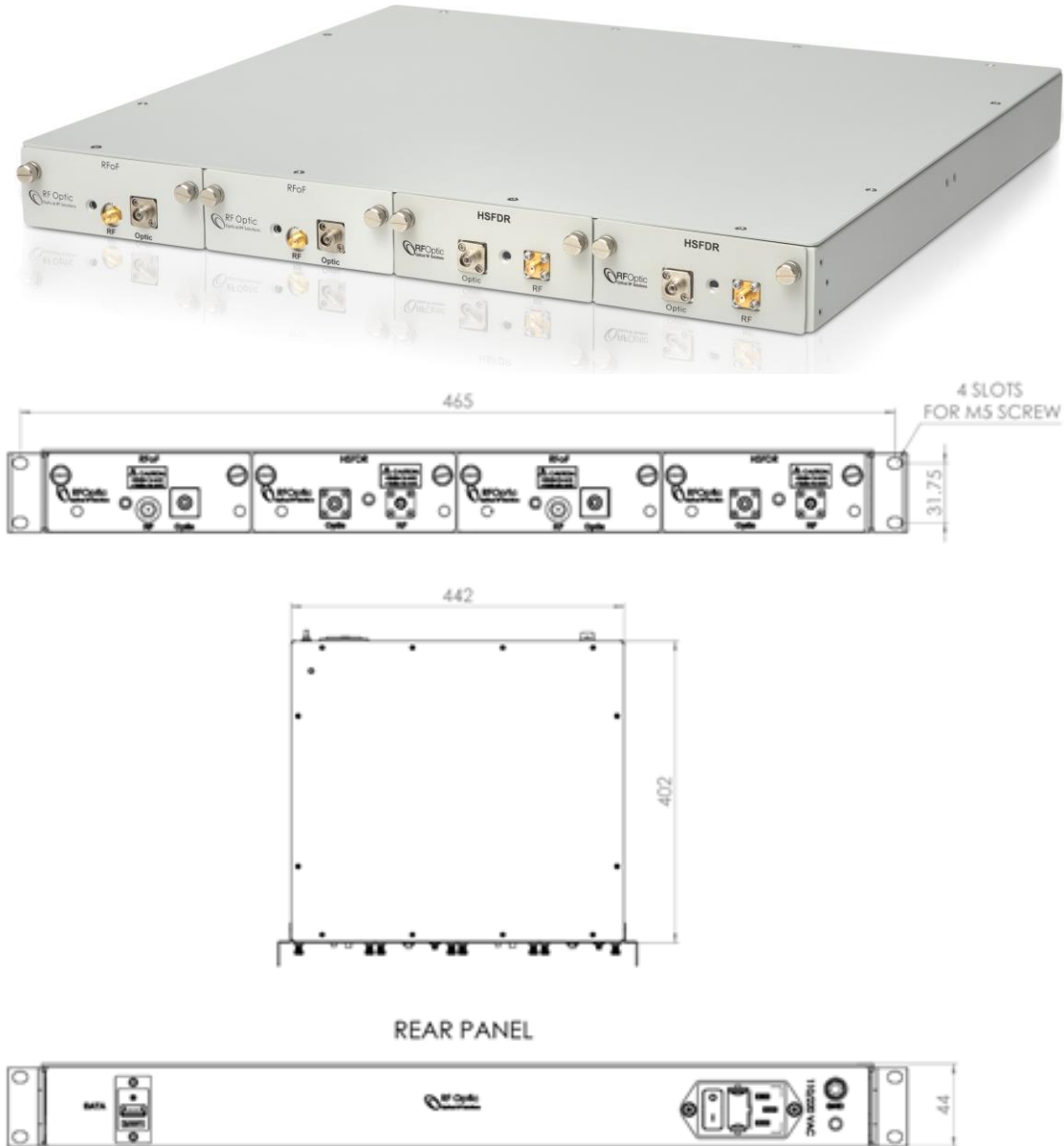
1. Indoor Enclosures .....	2
1.1 1UR – A 1U 19” rack mountable enclosure with 4 hot-swappable RFoF module bays. ....	2
1.2 2UR – A 2U 19” rack mountable enclosure with 8 hot-swappable RFoF module bays. ....	3
1.3 1UG – A 1U 19” rack mountable generic enclosure .....	4
1.3.1 1UG with 8 RF SMA and 8 FC/APC Optical ports panel .....	4
1.3.2 1UG with 6 RF SMA and 6 FC/APC Optical ports panel .....	4
1.3.3 1UG panel with 8 RF SMA and 8 SC/APC Optical ports panel .....	5
1.3.4 8 RF SMA and 8 LC/UPC Optical ports panel .....	5
1.4 2UHD – A 2U 19” rack mountable mainframe enclosure .....	5
1.4.1 2UHD drawer with 4 RF SMA and rear 4 LC/UPC Optical ports panel .....	5
1.4.2 2UHD drawer with 8 RF SMA and rear 4 dual LC/UPC Optical ports panel.....	5
1.4.3 2UHD enclosure mainframe with 5 drawer bays .....	6
1.5 Mini Universal Enclosures .....	7
1.5.1 Mini Universal Enclosures Standard panels .....	8
2. Special and OEM enclosures.....	9
2.1 Mini-TCP-IP Enclosure.....	9
2.2 1U MINI TCP-IP.....	9
2.3 1U MINI TCP-IP Rx or Tx.....	10
2.4 Mini TCP-IP Light .....	10
3. Outdoor Enclosures .....	11
3.1 SOD – Small Outdoor enclosure.....	11
3.1.1 SOD – DC power option .....	11
3.1.2 SOD – AC power option panel .....	11
3.2 BOD – Big Outdoor enclosure .....	12
3.2.1 BOD – DC power option .....	12
3.2.2 BOD – AC power option panel .....	12
3.3 EBOD – Extra Big Outdoor enclosure .....	13
3.3.1 BOD – AC power option .....	13

All enclosures described in this document may be supplied with USB or Webserver Management and Control interfaces. Unless otherwise specified these enclosures may contain IFL providing Ethernet over fiber interface and/or TTL over fiber interfaces.

Different RFoF link terminal modules can be mounted in each of these enclosures according to specific system requirements.

## 1. Indoor Enclosures

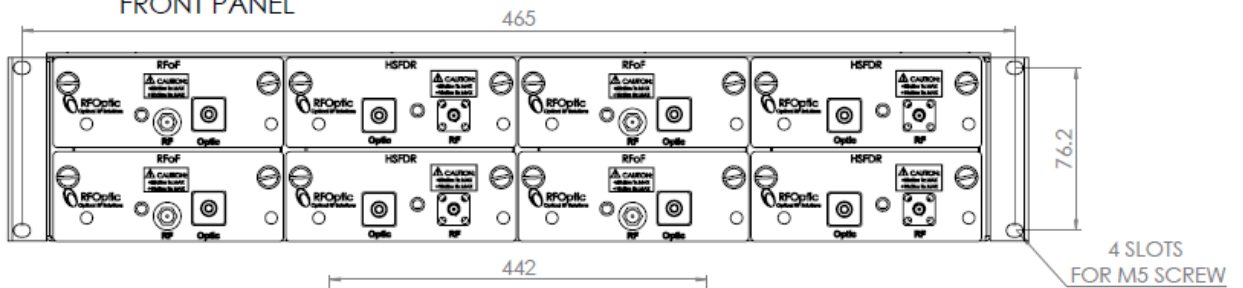
### 1.1 1UR – A 1U 19" rack mountable enclosure with 4 hot-swappable RFoF module bays.



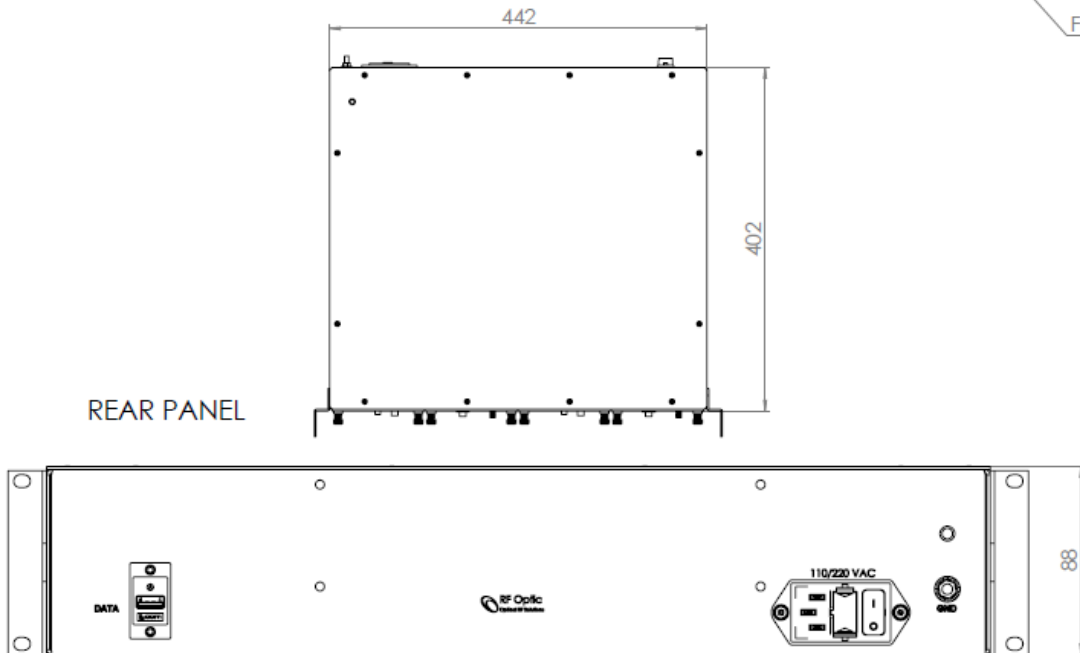
1.2 2UR – A 2U 19" rack mountable enclosure with 8 hot-swappable RFoF module bays.



FRONT PANEL



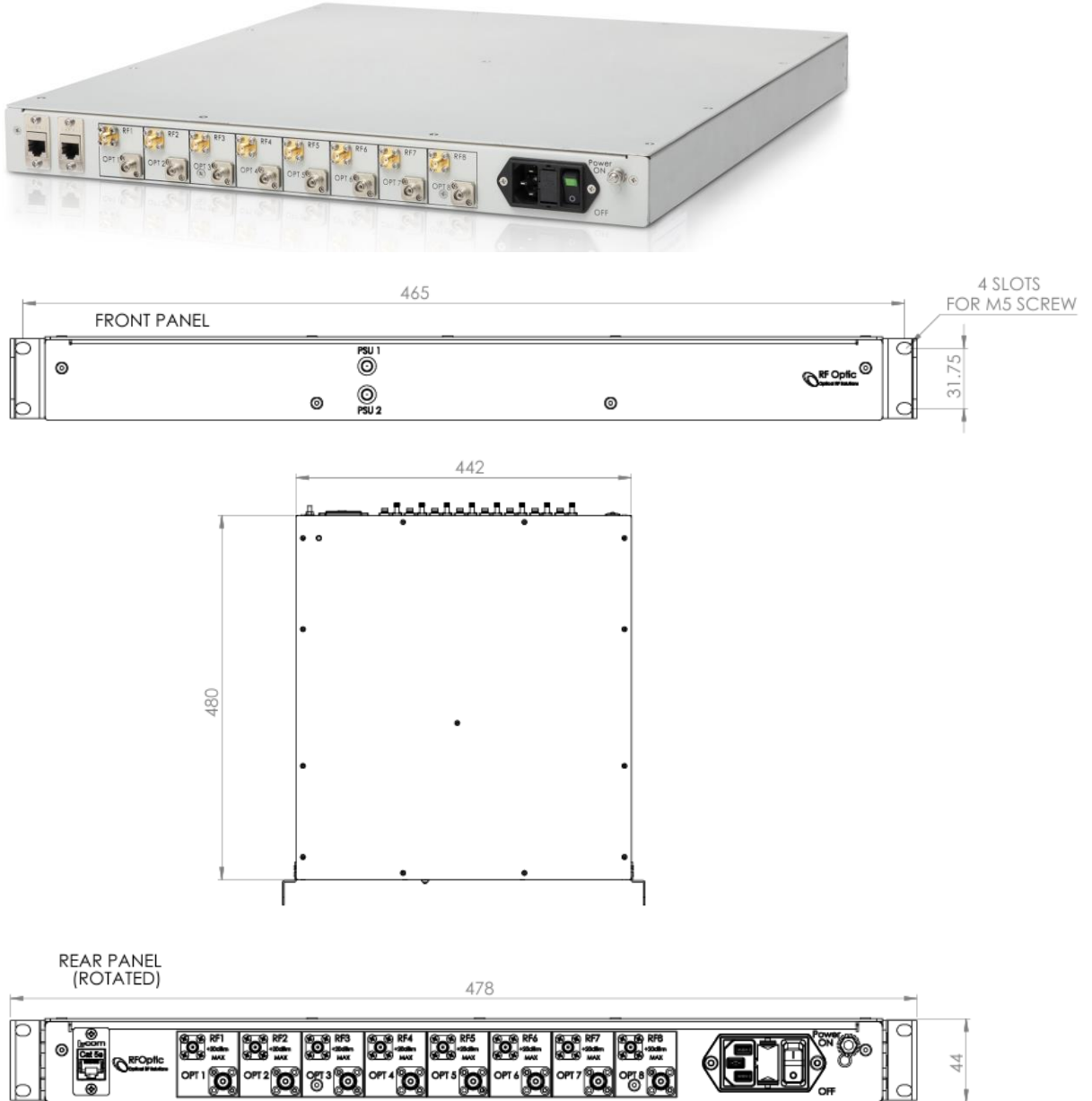
REAR PANEL



### 1.3 1UG – A 1U 19" rack mountable generic enclosure

This enclosure supports up to 8 RFoF programmable series or Ultra series modules or up to 5 RFoF HSFDR modules with different panel options. The enclosure enables many customized RFoF sub-system configurations and may include various RF and Optical components as necessary.

#### 1.3.1 1UG with 8 RF SMA and 8 FC/APC Optical ports panel



#### 1.3.2 1UG with 6 RF SMA and 6 FC/APC Optical ports panel



### 1.3.3 1UG panel with 8 RF SMA and 8 SC/APC Optical ports panel



### 1.3.4 8 RF SMA and 8 LC/UPC Optical ports panel

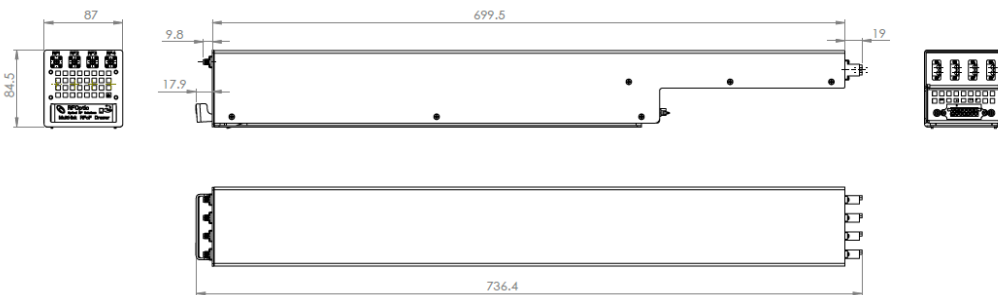


## 1.4 2UHD – A 2U 19” rack mountable mainframe enclosure

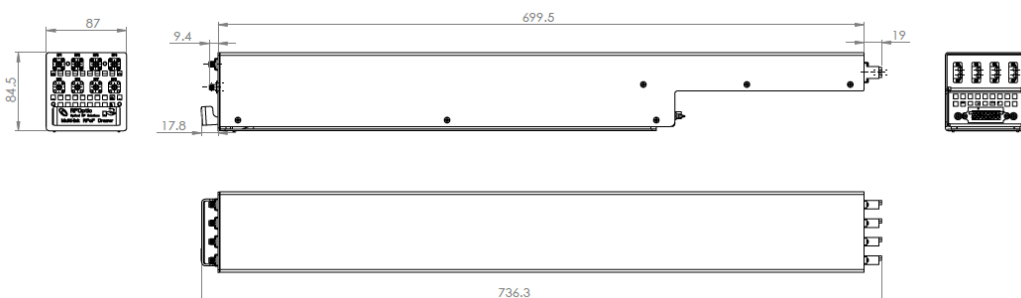
This enclosure accommodates RFOF programmable series modules or RFOF Ultra modules. It supports up to 5 drawers each with 4 bi-directional RFOF terminals or 8 unidirectional terminals. This enclosure has an ethernet webserver Monitoring and Control and no USB option.



### 1.4.1 2UHD drawer with 4 RF SMA and rear 4 LC/UPC Optical ports panel

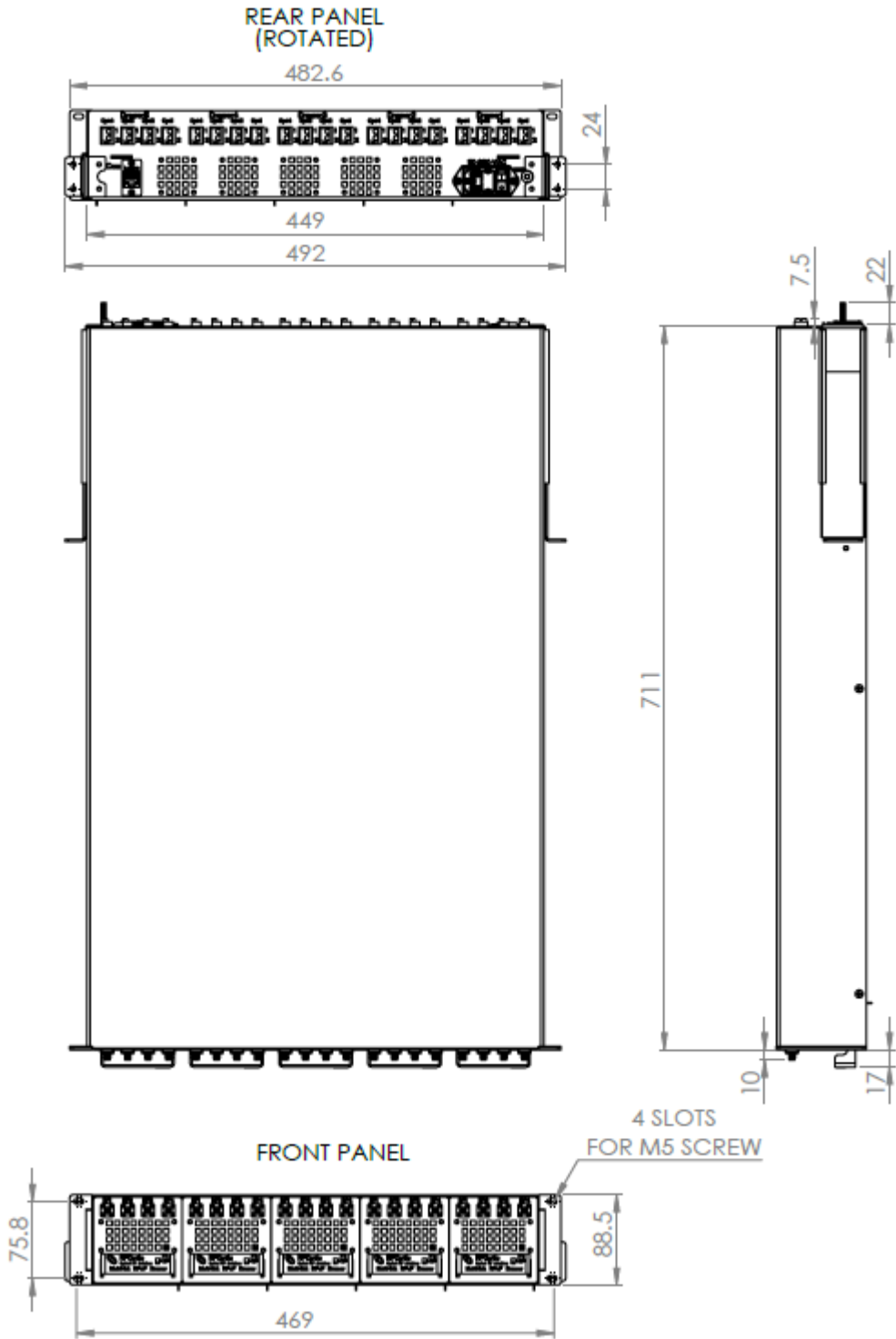


### 1.4.2 2UHD drawer with 8 RF SMA and rear 4 dual LC/UPC Optical ports panel



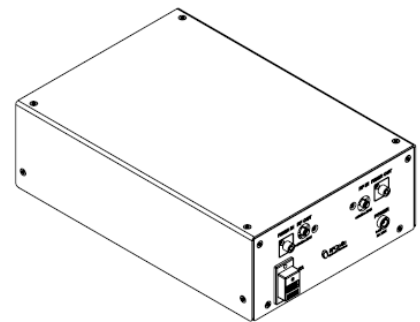
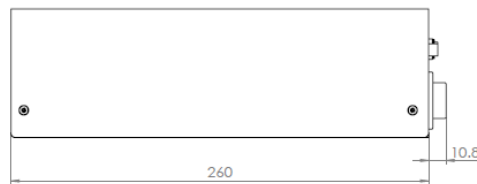
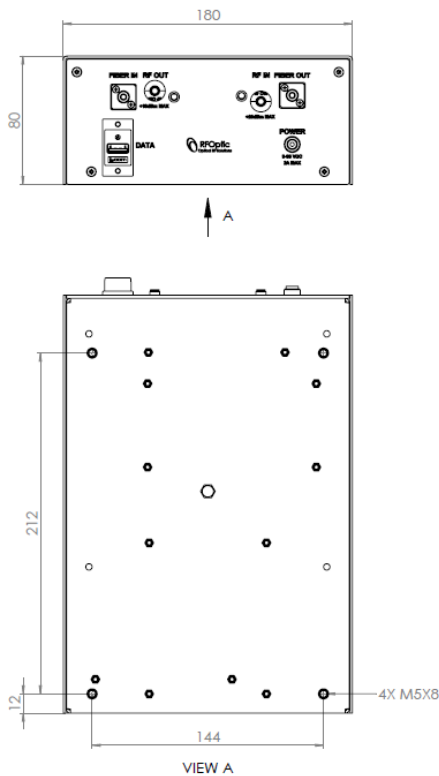


1.4.3 2UHD enclosure mainframe with 5 drawer bays

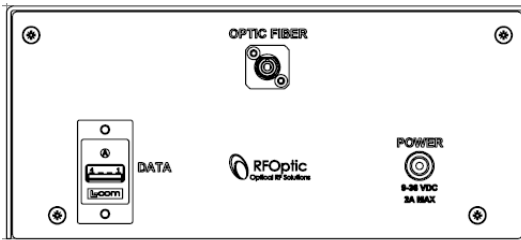


### 1.5 Mini Universal Enclosures

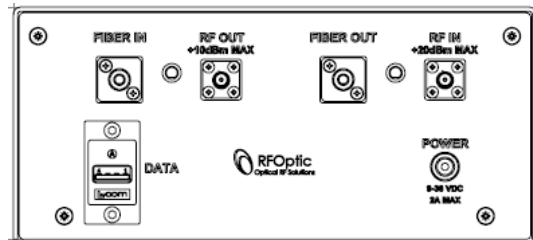
These enclosures accommodate up to 4 RFoF programmable series modules or RFoF Ultra modules, a single bidirectional RFoF terminal, or 2 RFoF HSFDR modules as well as a fixed delay ODL. It has an optional USB or ethernet webserver interface and requires 9V to 36V DC power. AC power is accommodated using an external Brick Power supply AC adaptor. Custom panels support various RFoF module combinations.



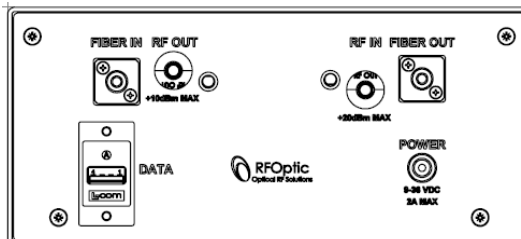
### 1.5.1 Mini Universal Enclosures Standard panels



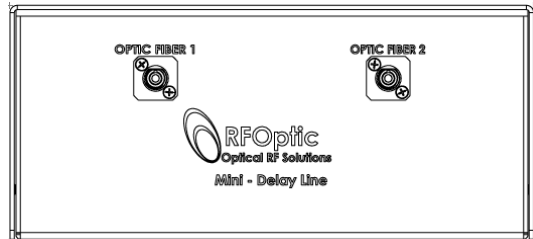
Bidirectional link



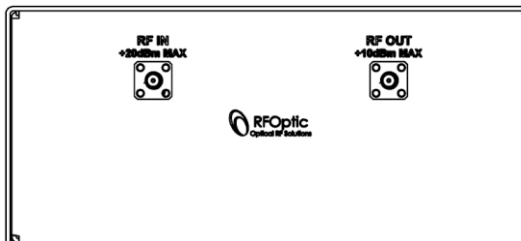
2 module RFoF HSFR



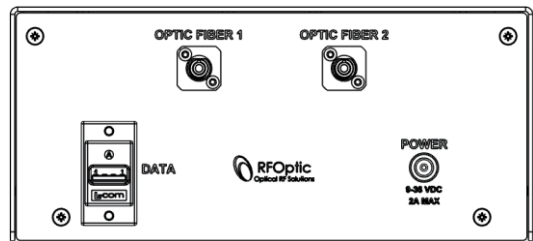
2 module RFoF Prog. Or Ultra



Delay spool



Mini-ODL



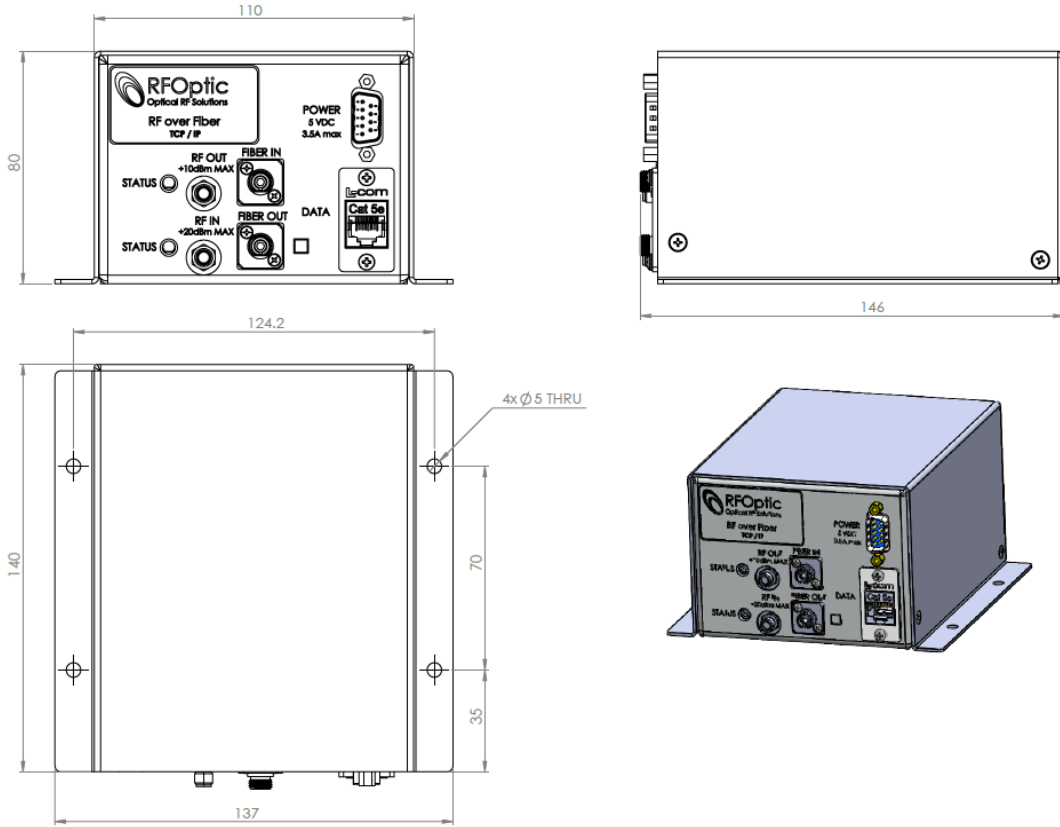
2 Fiber RFoF link



## 2. Special and OEM enclosures

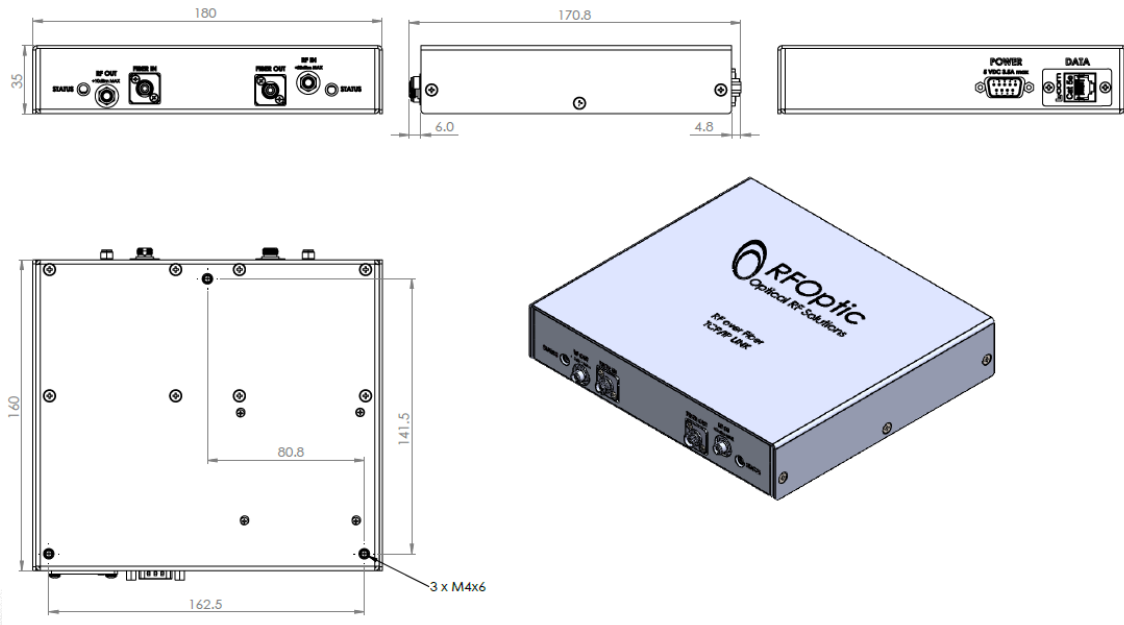
### 2.1 Mini-TCP-IP Enclosure

This enclosure accommodates 2 RFoF programmable series modules or RFoF Ultra modules. It has an optional USB or ethernet webserver interface and requires 5V DC power. All combinations of modules are supported (2 x Rx, 2 x Tx or Rx + Tx)



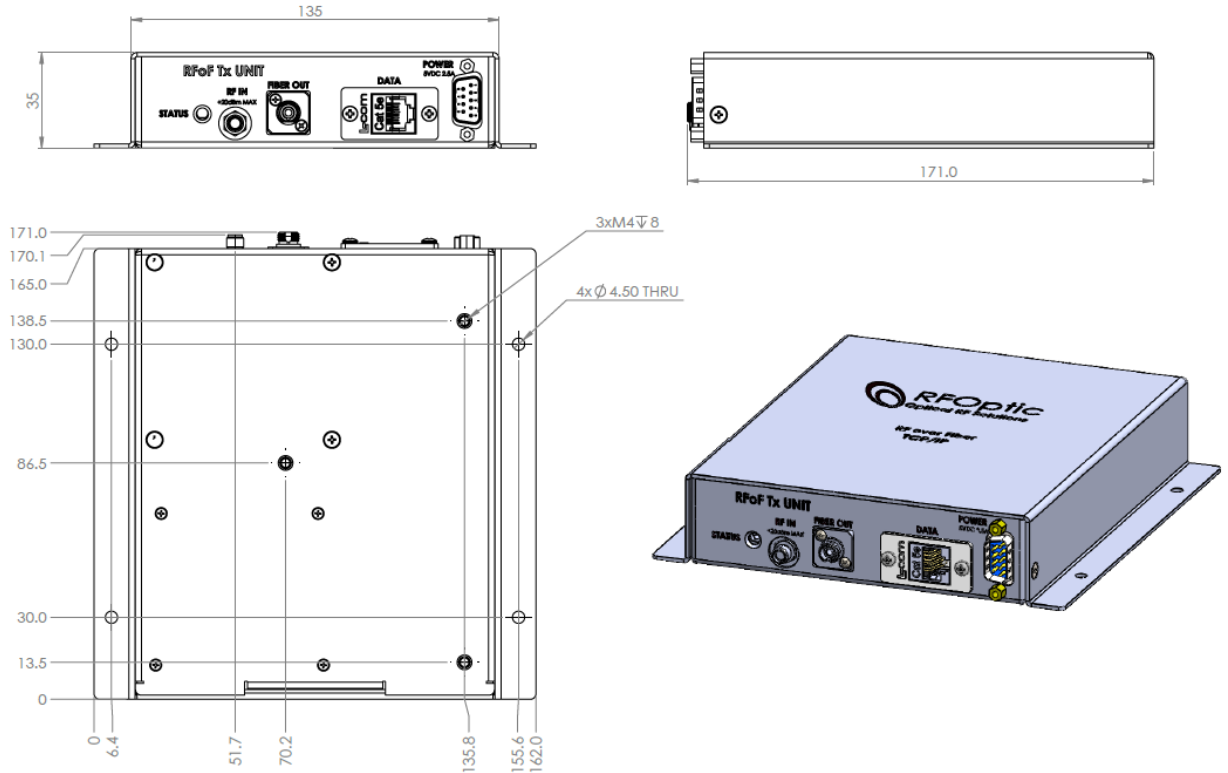
### 2.2 1U MINI TCP-IP

This enclosure fits into 1U height profile and accommodates 2 RFoF programmable series modules or RFoF Ultra modules. It has an optional USB or ethernet webserver interface and requires 5V DC power. All combinations of modules are supported (2 x Rx, 2 x Tx or Rx + Tx)



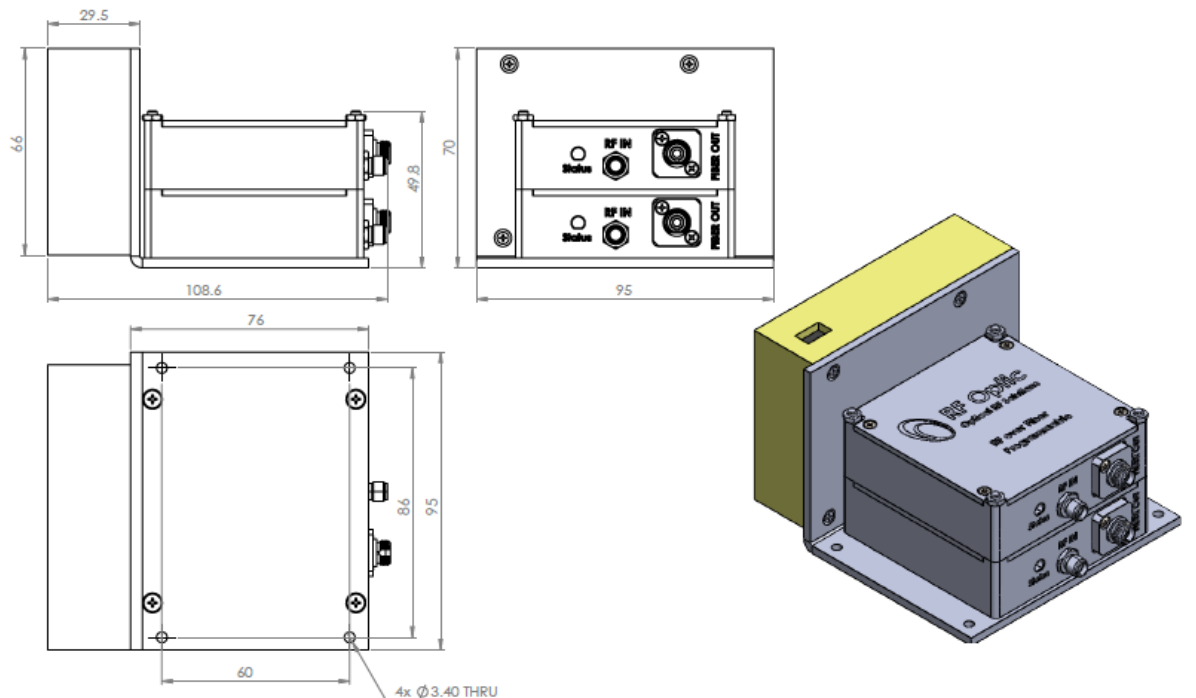
### 2.3 1U MINI TCP-IP Rx or Tx

This enclosure fits into 1U height profile and accommodates 1 RFoF programmable series module or RFoF Ultra module. It has an optional USB or ethernet webserver interface and requires 5V DC power. Appropriate panels are available for a Tx or an Rx module.



### 2.4 Mini TCP-IP Light

This is an OEM enclosure and it accommodates 2 RFoF programmable series module or RFoF Ultra module. It has an ethernet webserver interface and requires 5V DC power.

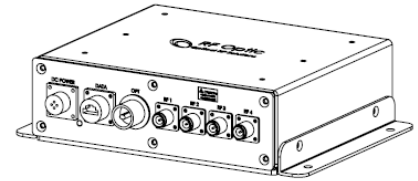
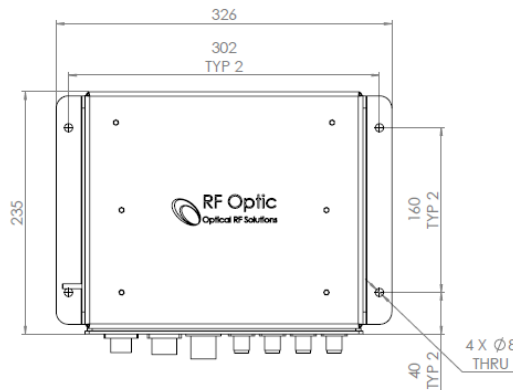
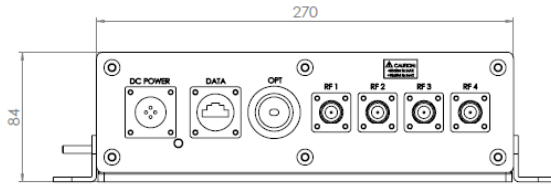


### 3. Outdoor Enclosures

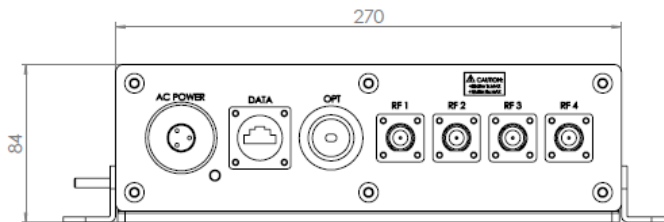
#### 3.1 SOD – Small Outdoor enclosure

An IP-58 outdoor enclosure that has the capacity of 4 RFoF programmable or RFoF Ultra series modules. The enclosure can house 2 RFoF HSFDR modules or some combinations of these. It has 4 N-Type RF ports and uses an MPO fiber connection. The DC powered option operates from 9V to 36V DC and an AC power option runs off 110V/220V 50/60Hz power line. It supports USB or ethernet webserver Monitoring and Control interfaces and can accommodate an IFL link for ethernet over fiber as well as TTL over fiber links.

##### 3.1.1 SOD – DC power option



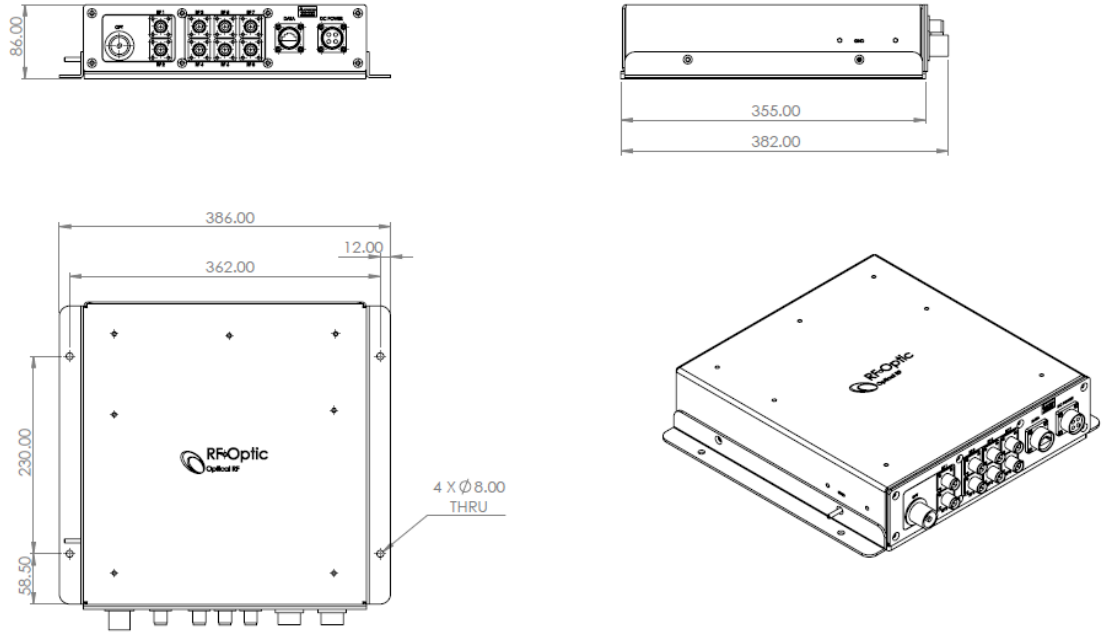
##### 3.1.2 SOD – AC power option panel



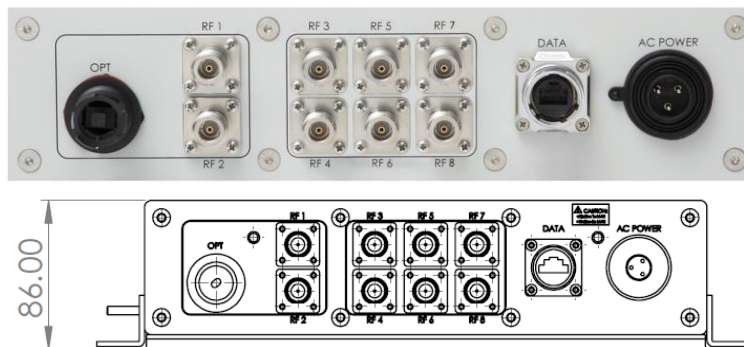
### 3.2 BOD – Big Outdoor enclosure

An IP-58 outdoor enclosure that has the capacity of 8 RFoF programmable or RFoF Ultra series modules. The enclosure can house 4 RFoF HSFDR modules or some combinations of these. It has up to 8 N-Type RF ports and uses an MPO fiber connection. The DC powered option operates from 9V to 36V DC and an AC power option runs off 110V/220V 50/60Hz power line. It supports USB or ethernet webserver Monitoring and Control interfaces and can accommodate an IFL link for ethernet over fiber as well as TTL over fiber links.

#### 3.2.1 BOD – DC power option



#### 3.2.2 BOD – AC power option panel



### 3.3 EBOD – Extra Big Outdoor enclosure

An IP-58 outdoor enclosure that has the capacity of 12 RFoF programmable or RFoF Ultra series modules. The enclosure can house 8 RFoF HSFDR modules or some combinations of these. It has up to 10 N-Type RF ports and uses an MPO fiber connection. The DC powered option operates from 9V to 36V DC and an AC power option runs off 110V/220V 50/60Hz power line. It supports USB or ethernet webserver Monitoring and Control interfaces and can accommodate IFL links for ethernet over fiber as well as TTL over fiber links.

#### 3.3.1 BOD – AC power option

FRONT PANEL (ROTATED 180 deg.)

